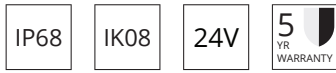


# PHVB1617



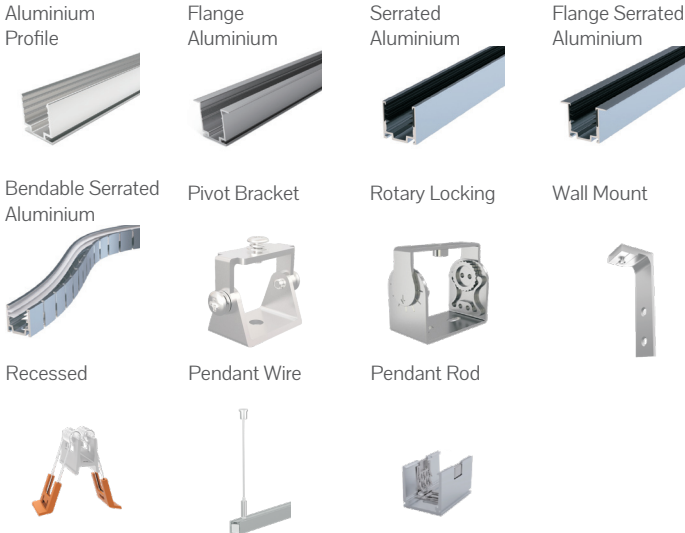
## Key Features

- Minimum bend diameter - 300mm
- Ambient working temperature: (-)40°C to (+)55°C
- Bending Direction - Vertical
- Incremental Order Length (Monochrome) - 55.6mm
- Incremental Order Length (Tunable white) - 83.3mm
- Incremental Order Length (Dim to Warm) - 62.5mm
- Incremental Order Length (RGB / RGBW) - 83.3mm
- SPI Pixel Light options available on request

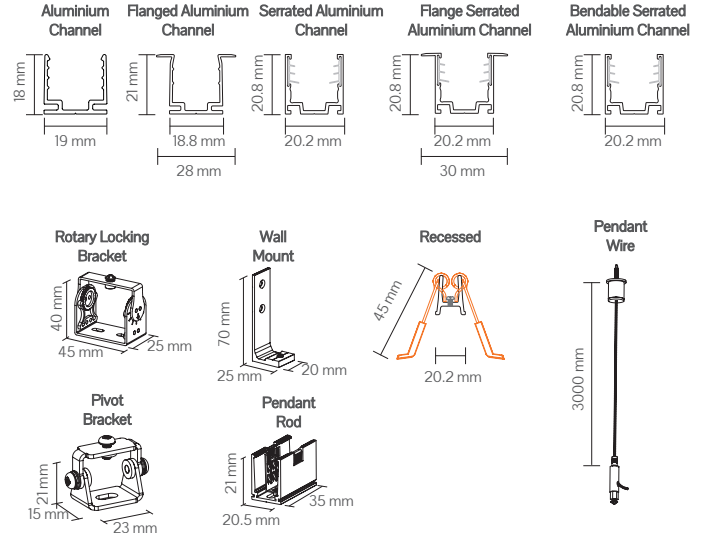
## Connectors



## Mounting Accessories



## Accessory Dimensions



## Code Example: PHVB1617 - 068022DEDO - 2400

Code	Wattage (W/m)		CRI		CCT			Connector		Driver		Length		
						lm/m								
PHVB1617	06	6	80	CRI>80	22	2200K	450	DE	Direct Entry	DO	Non-Dim	-xxxx		
	09	9			27	2700K	465							
	12	12	30	3000K	465	SL	Left side entry						DA	DALI
	15	15	35	3500K	580									
			40	4000K	580	SR	Right side entry						CA	Casambi
			57	5700K	580									
			TW	2200K-5700K		BE	Bottom Entry						SW	Switch Dim
			DW	1800K-3000K										
			RGB	RGB		PH	Phase Dim						RC	2.4Ghz Remote Control
			R2	RGBW (2700K)										
			R3	RGBW (3000K)										
			R4	RGBW (4000K)										

# Lumen/m figures based on, 12W, CRI>80. ## HAWKO Lighting reserve the right to change any data without notification. ### CRI>90 only in 12W/m in 2700K, 3000K, 3500K, 4000K  
#### If this fitting needs to be adjusted on site, contact FOS Lighting before cutting the product  
HAWKO Lighting - Neon Flex Range - 2023